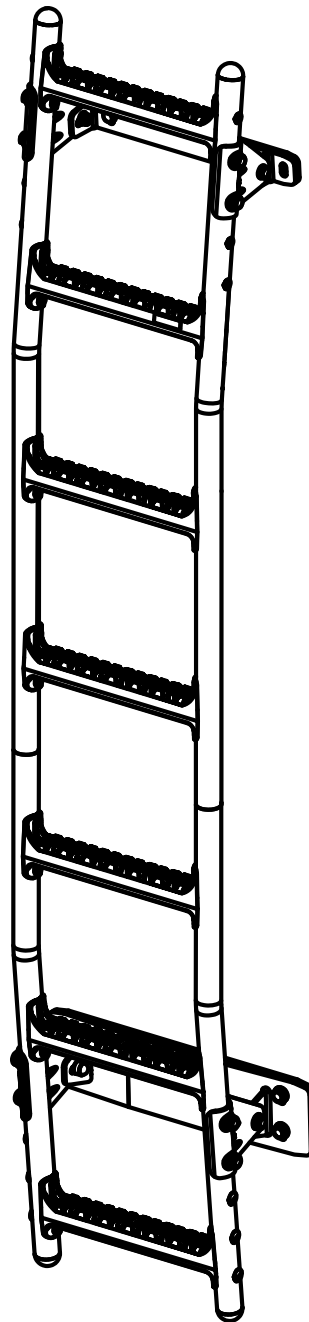
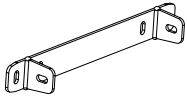
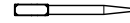


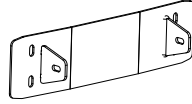
LK46

Instructions

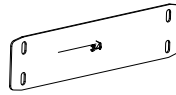




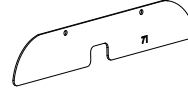
LW004
x 1



LW020
x 1



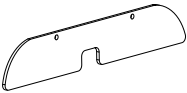
LR034
x 1



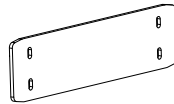
LR071
x 1



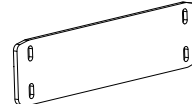
PS054
x 1



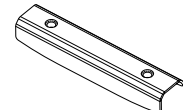
PS624
x 1



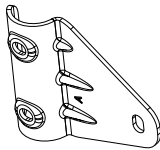
PS055
x 1



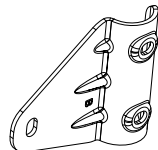
PS437
x 1



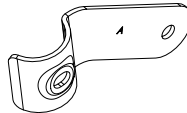
MS1016
x 2



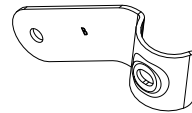
LR005
x 1



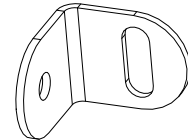
LR006
x 1



LR064
x 1



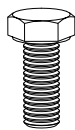
LR065
x 1



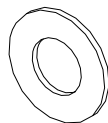
LR066
x 2



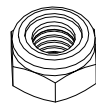
FS061
(M8x35)
x 6



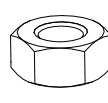
FS067
(M8x20)
x 16



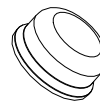
FW021
(M8)
x 38



FN080
(M8)
x 12



FN060
(M8)
x 4



PS414
(M8)
x 20



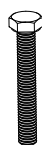
PS065
(M8)
x 6



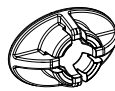
PS419
x 12



FS105
(M8x55)
x 2



FS109
(M8x90)
x 2



PS204
x 2



PS203
x 4



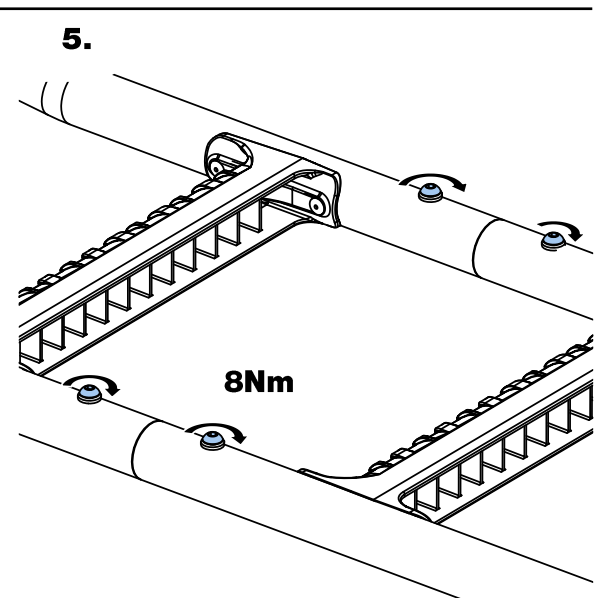
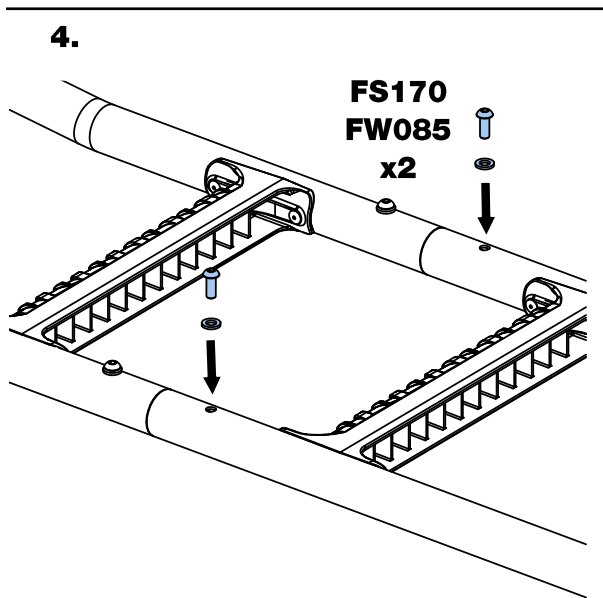
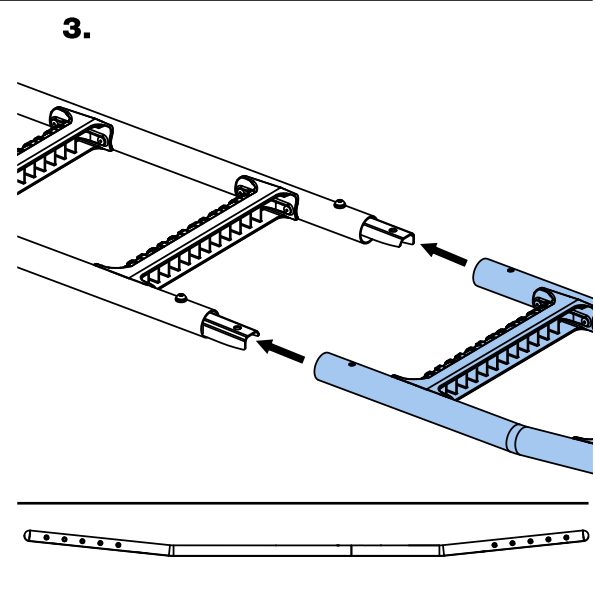
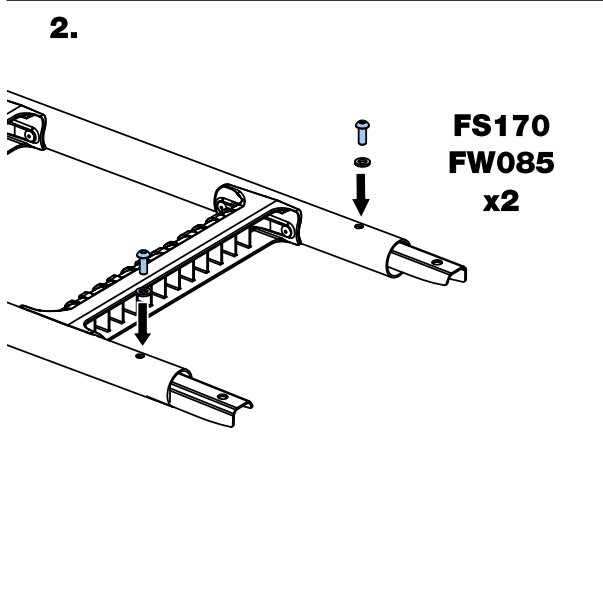
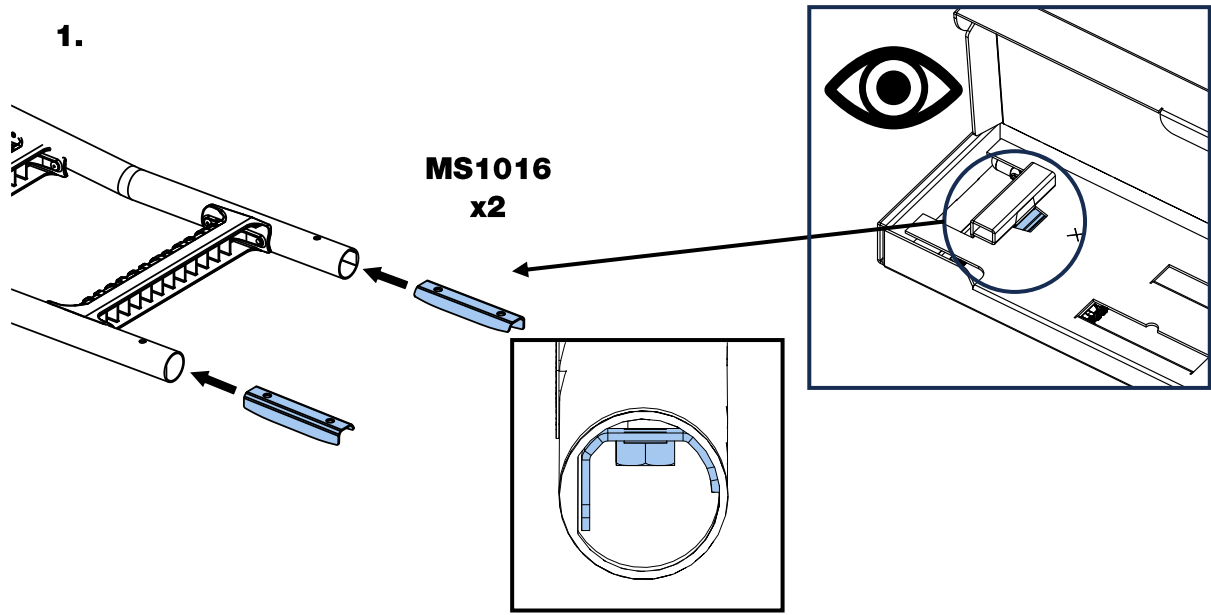
LA074
x 2



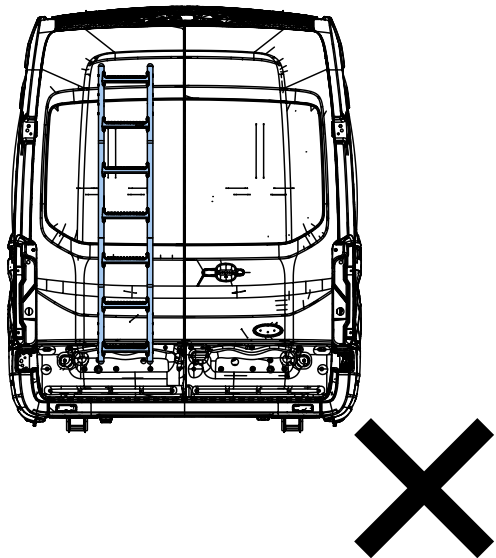
FW085
(M6)
x 4



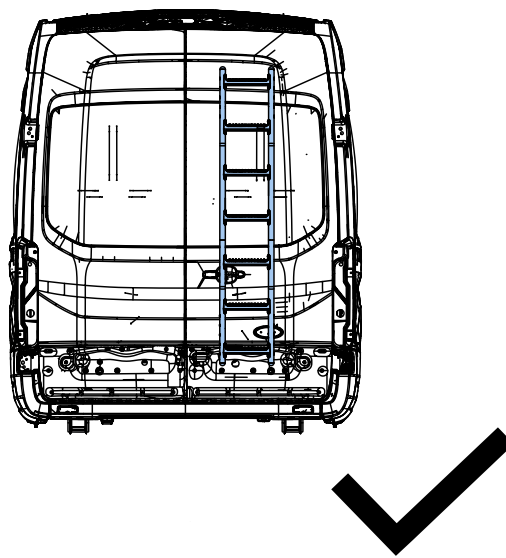
FS170
(M6x16)
x 4



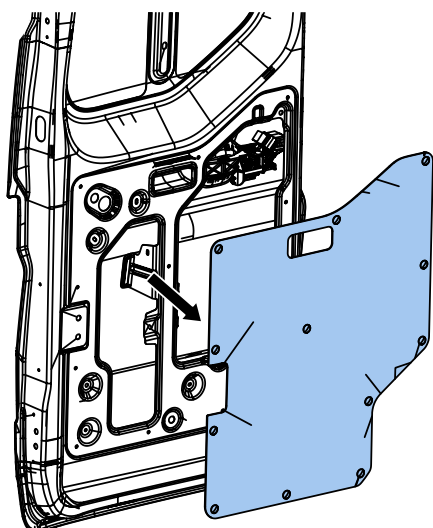
6.



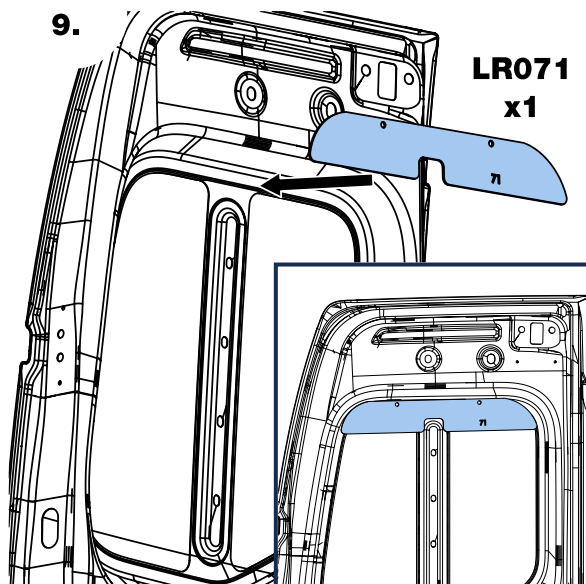
7.



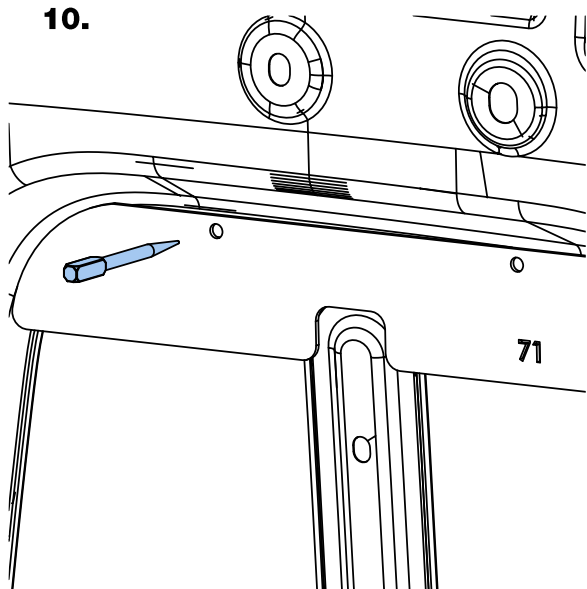
8.



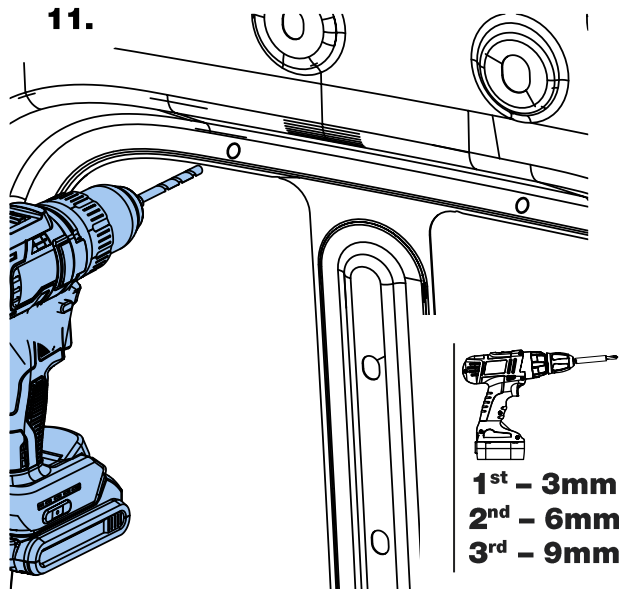
9.

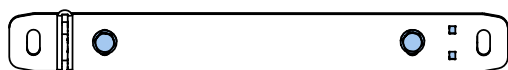
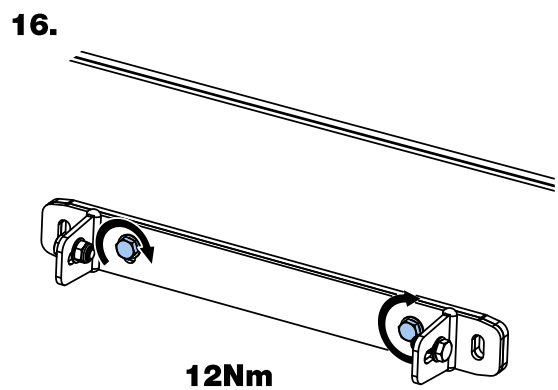
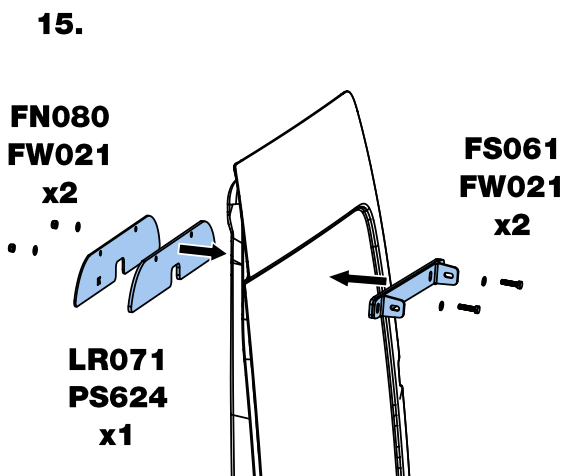
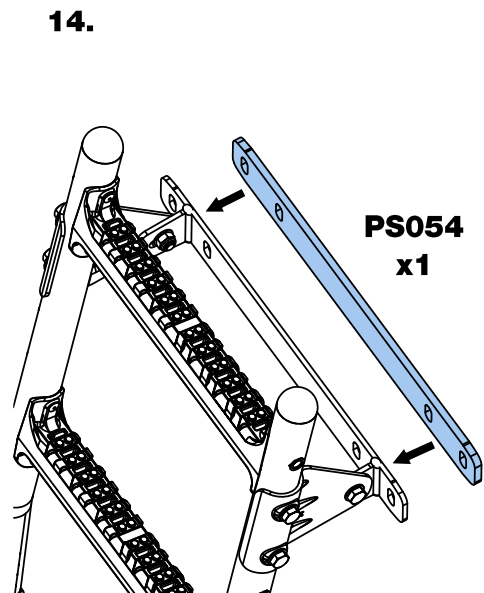
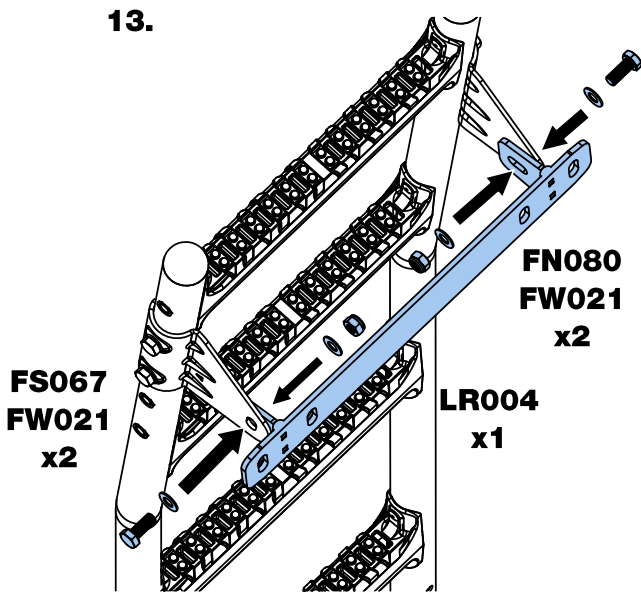
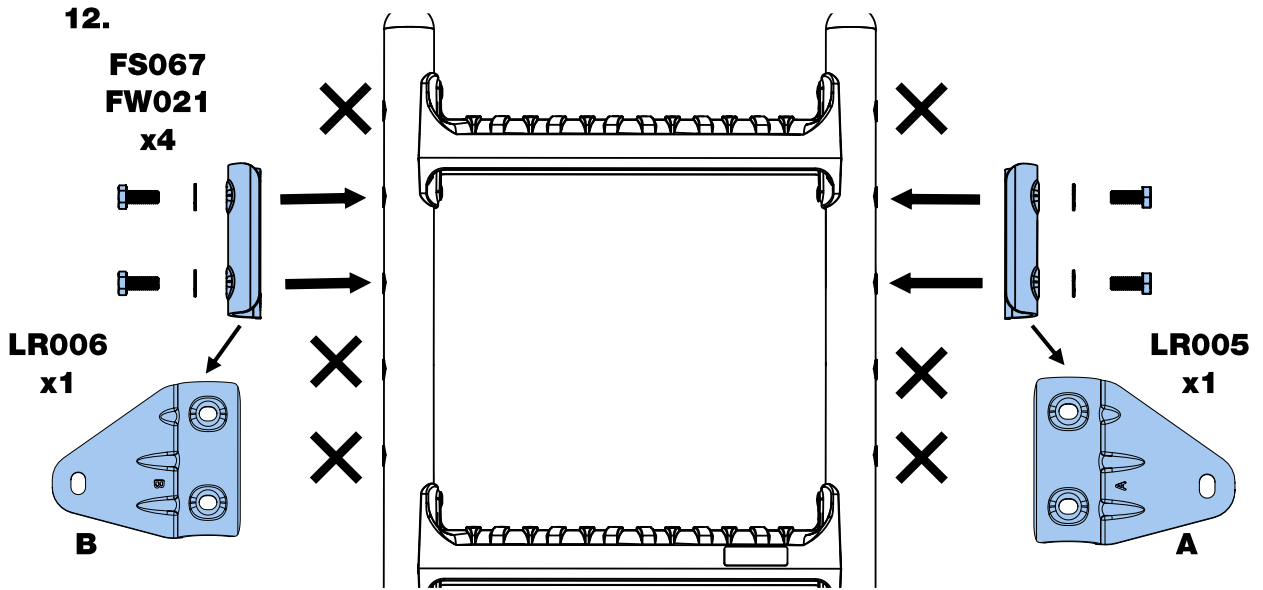


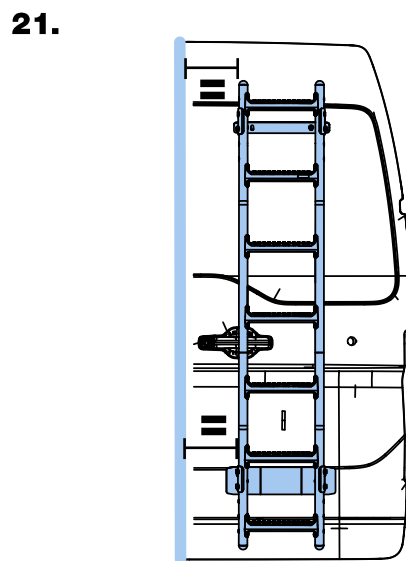
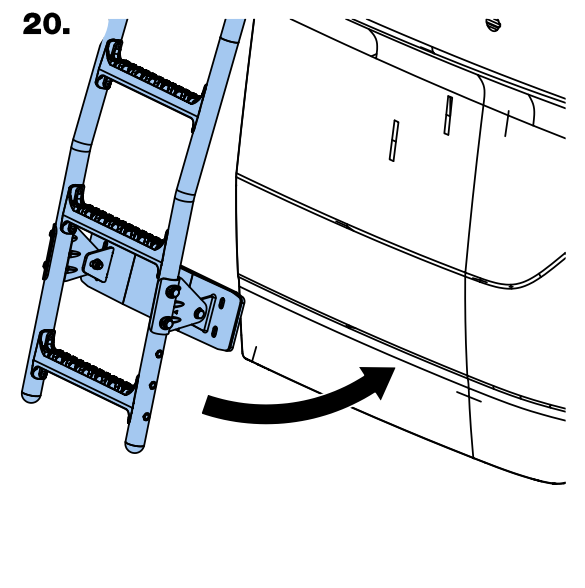
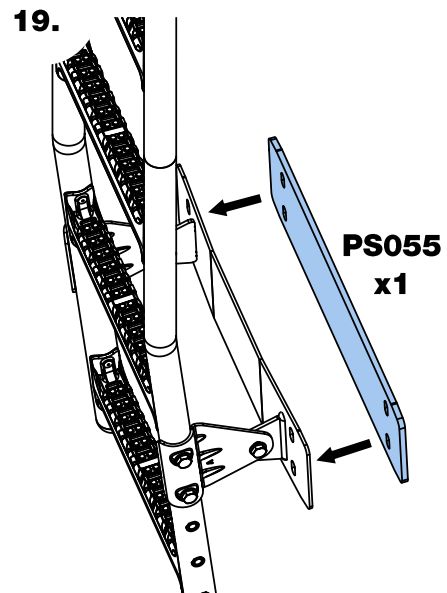
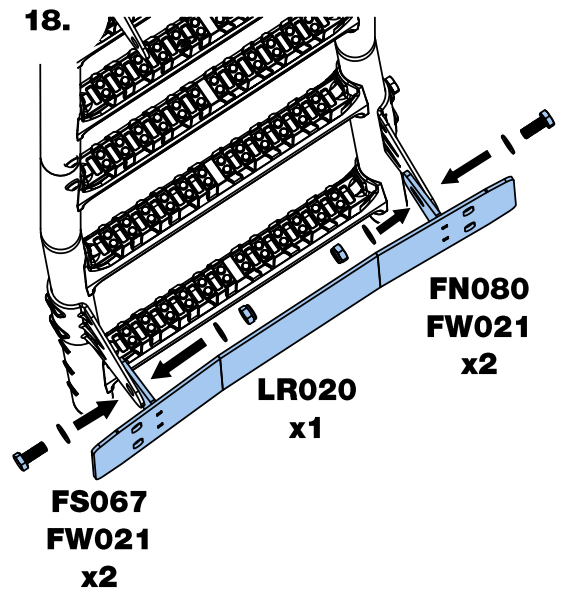
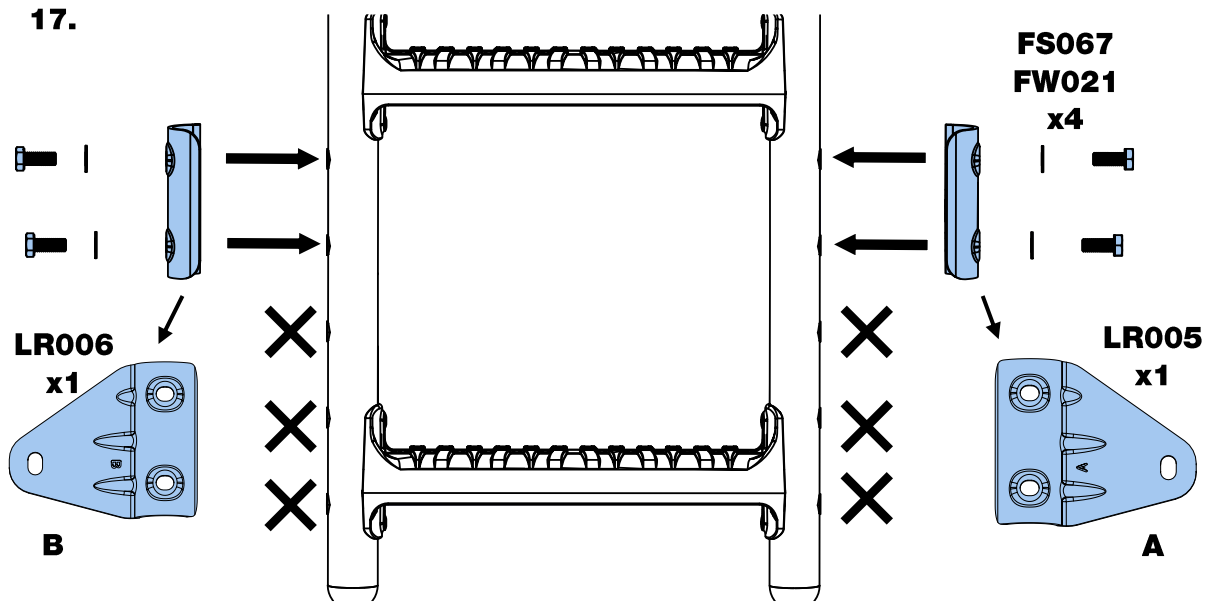
10.

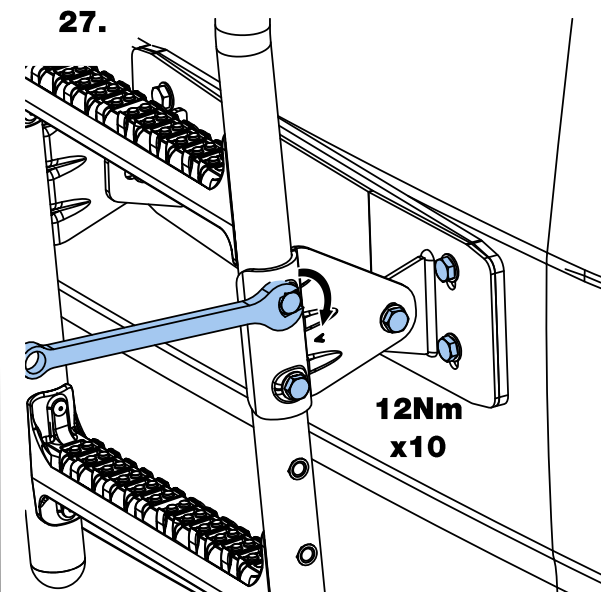
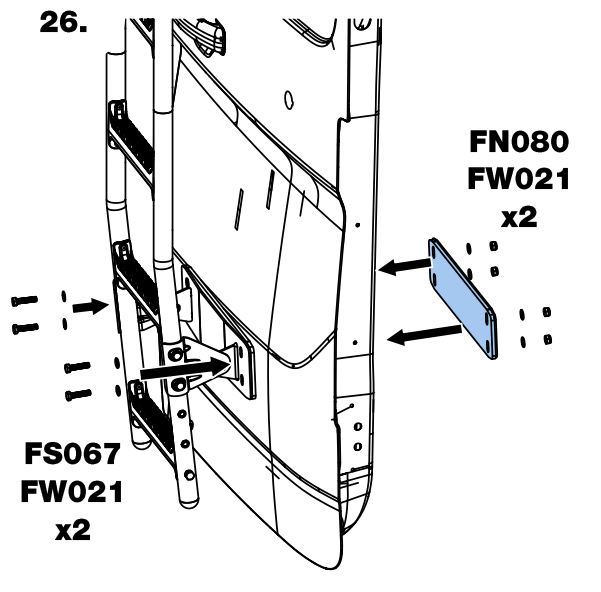
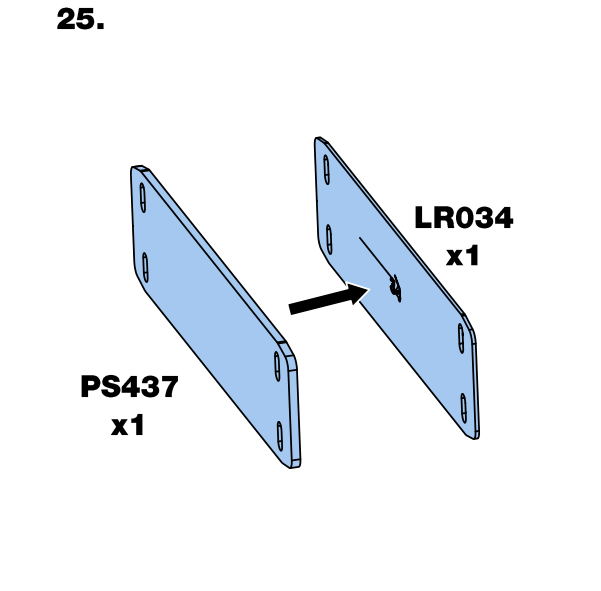
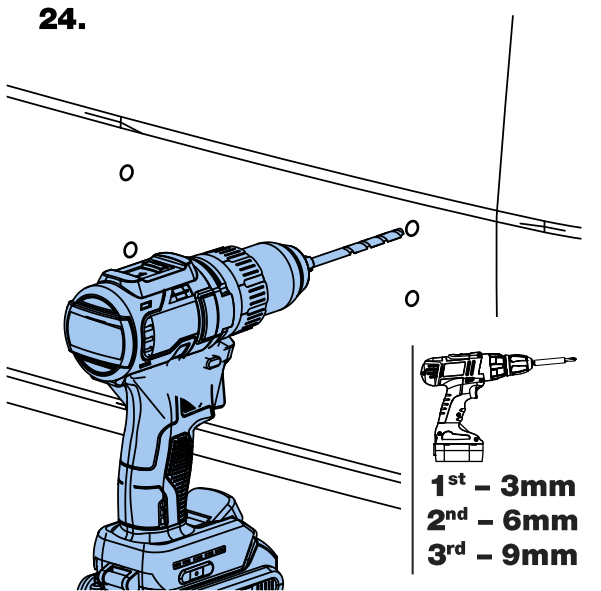
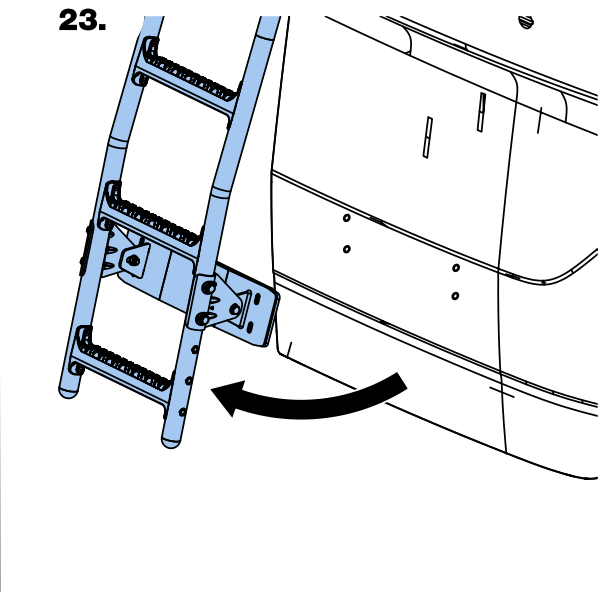
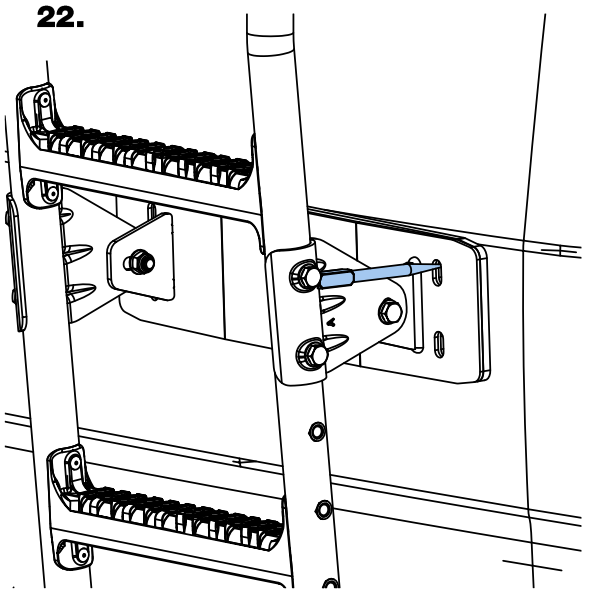


11.

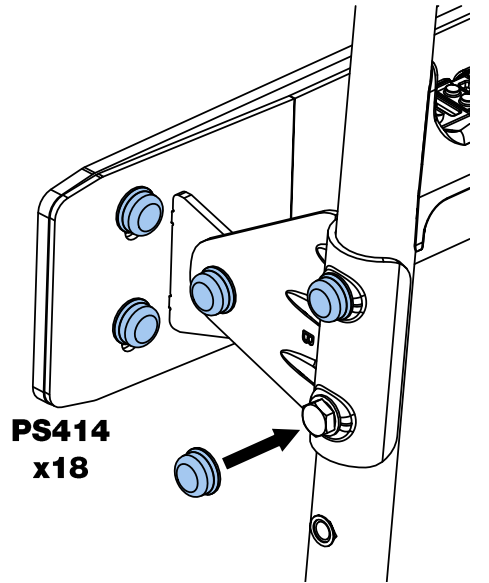




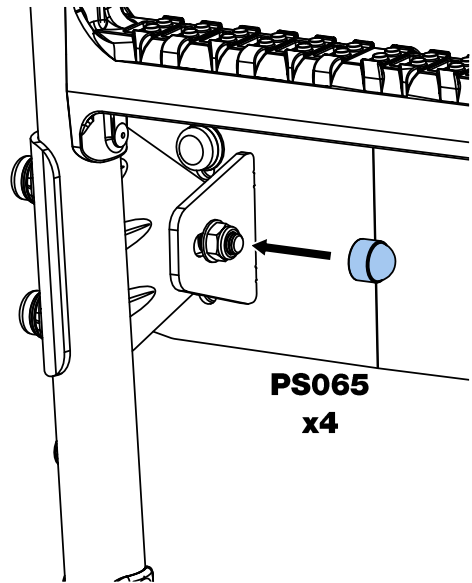




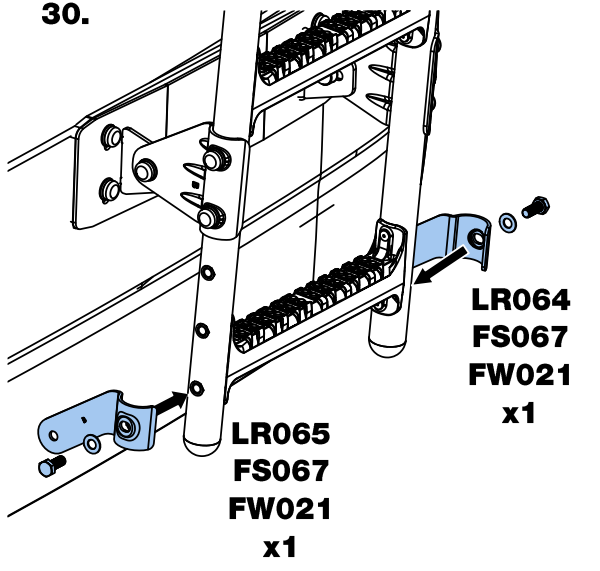
28.



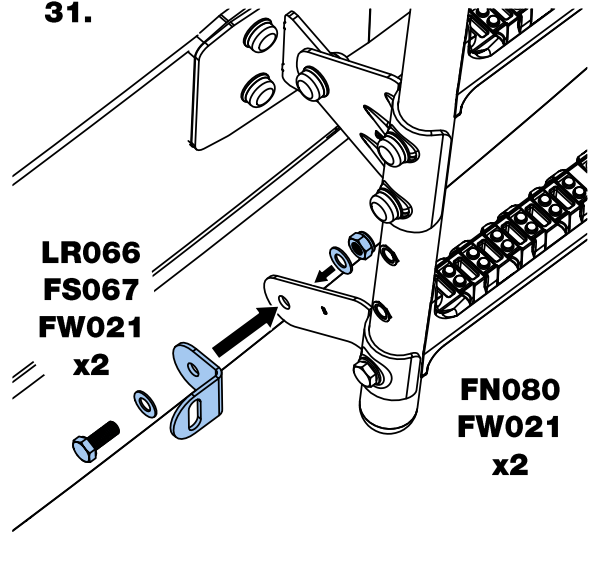
29.



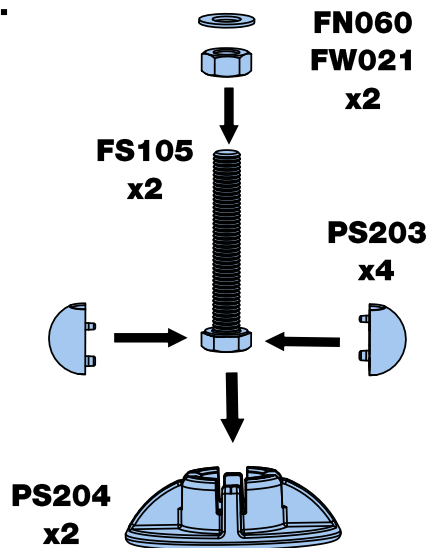
30.



31.



32.



33.

